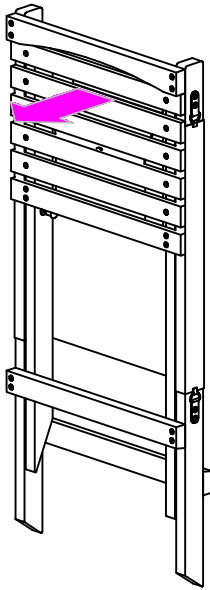
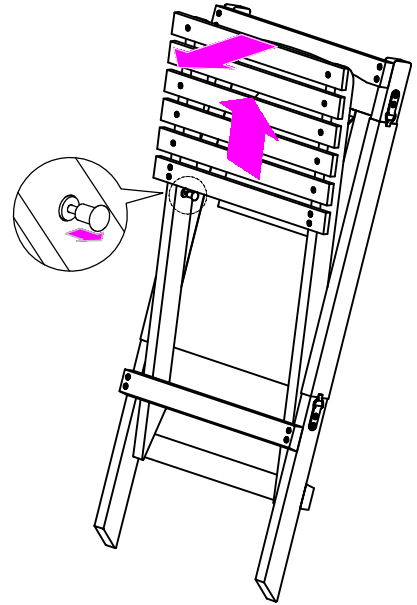


ASSEMBLY MANUAL

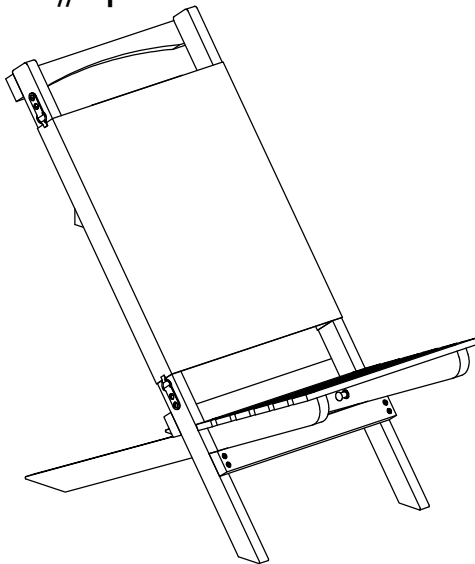
1



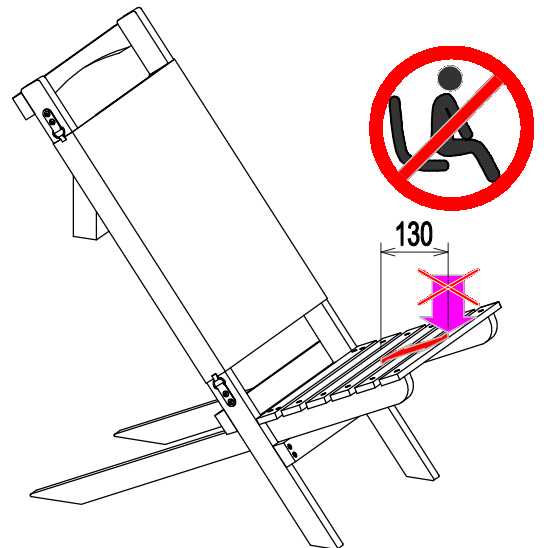
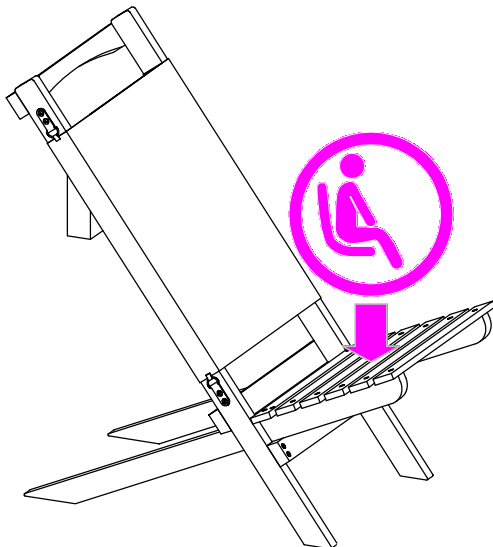
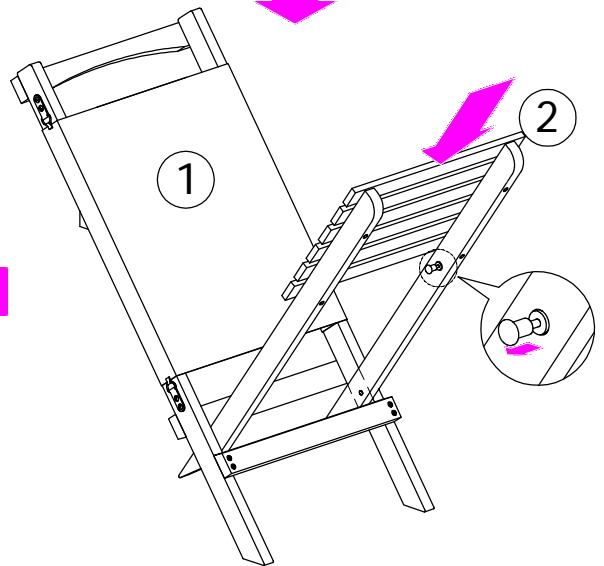
2



4



3



Art. Nr	Version Date
4113401020	20241231
4113401024	
4113401027	